



BP

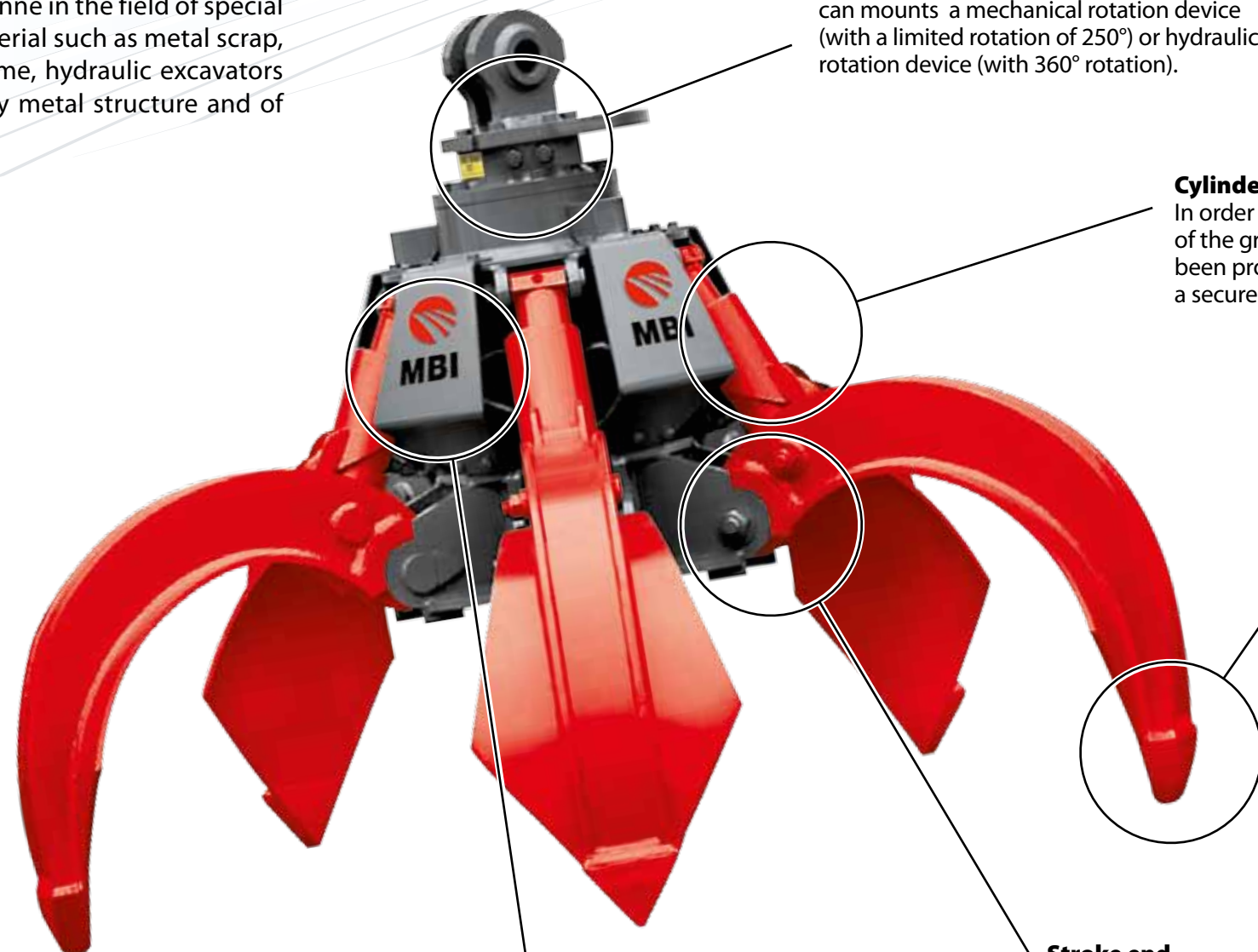


Mantovanibenne s.r.l. - Mirandola (Mo) Italy - Tel. +39 0535 615811 - Fax +39 0535 615830
sales@mantovanibenne.com

RIF. 97873-1/E 07/11 Rev. 00
Caratteristiche di prodotto e specifiche possono variare senza obbligo di preavviso.
Les caractéristiques et les spécifications des produits peuvent être modifiées sans préavis.

BP Grab Bucket

The Grab Buckets for scrap are the result of the experience of Mantovanibenne in the field of special equipments and are suitable for handling and collection of unpacked material such as metal scrap, solid waste, paper and car tyres. They can be mounted on fixed mainframe, hydraulic excavators and wheel loaders or crawlers. These attachments are made of a sturdy metal structure and of powerful cylinders that give the shells a great clamping force.



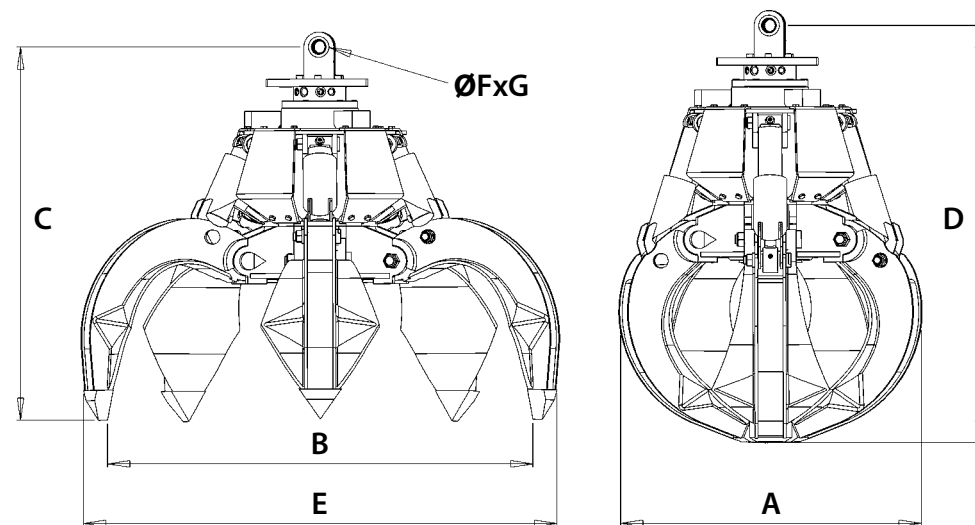
Rotation
The Mantovanibenne Grab Bucket can mounts a mechanical rotation device (with a limited rotation of 250°) or hydraulic rotation device (with 360° rotation).

Cylinders protection
In order to improve the reliability of the grab, the cylinders have been protected, allowing a secured work of the shells.

Shells
The shells are made with high wear resistance materials with sturdy tips.

Stroke end
The Grab Buckets are equipped with a sturdy stroke end that gives the structure a high degree of reliability.

Pipe protection
Each Grab Bucket is equipped with special cover to protect the hydraulic system.



We are constantly improving our products and therefore we reserve the right to change the design and technical specifications without prior notice.

TECHNICAL SPECIFICATIONS							
MODEL		BP50		BP80		BP100	
Capacity	l	500		800		1000	
Shells	nr	5	6	5	6	5	6
Excavator Weight	t	14-22	14-22	22-30	22-30	25-32	25-32
Tool Weight*	kg	1100	1250	1350	1550	1500	1700
Hydraulic working pressure	bar	300	300	300	300	300	300
Oil Flow	l/min	100	120	140	170	140	170
DIMENSIONS							
A	mm	1210	1250	1400	1480	1510	1510
B	mm	1840	1840	2250	2250	2420	2420
C	mm	1500	1500	1640	1640	1680	1680
D	mm	1690	1690	1940	1940	2120	2120
E	mm	2000	2000	2430	2430	2580	2580
ØFxG	mm	50x100	50x100	70x150	70x150	70x150	70x150

* Tool weight does include Mantovanibenne top bracket.

SHELL TYPE

