

GRITS AND GREASES REMOVAL

GREASE CONCENTRATOR WITH TANK Type: MR08D

GREASE CONCENTRATOR WITH TANK type MR08D

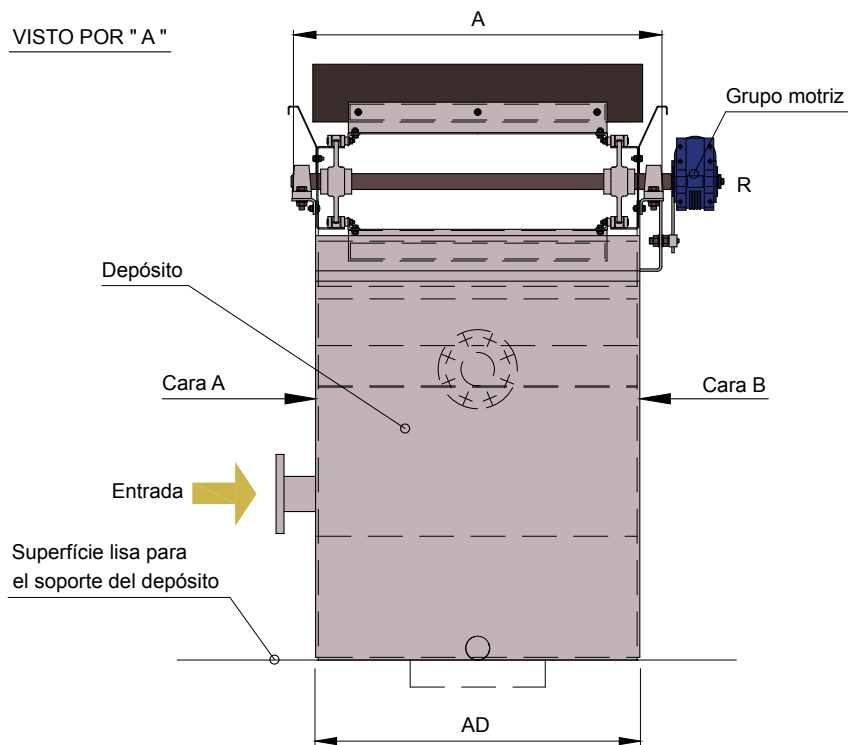
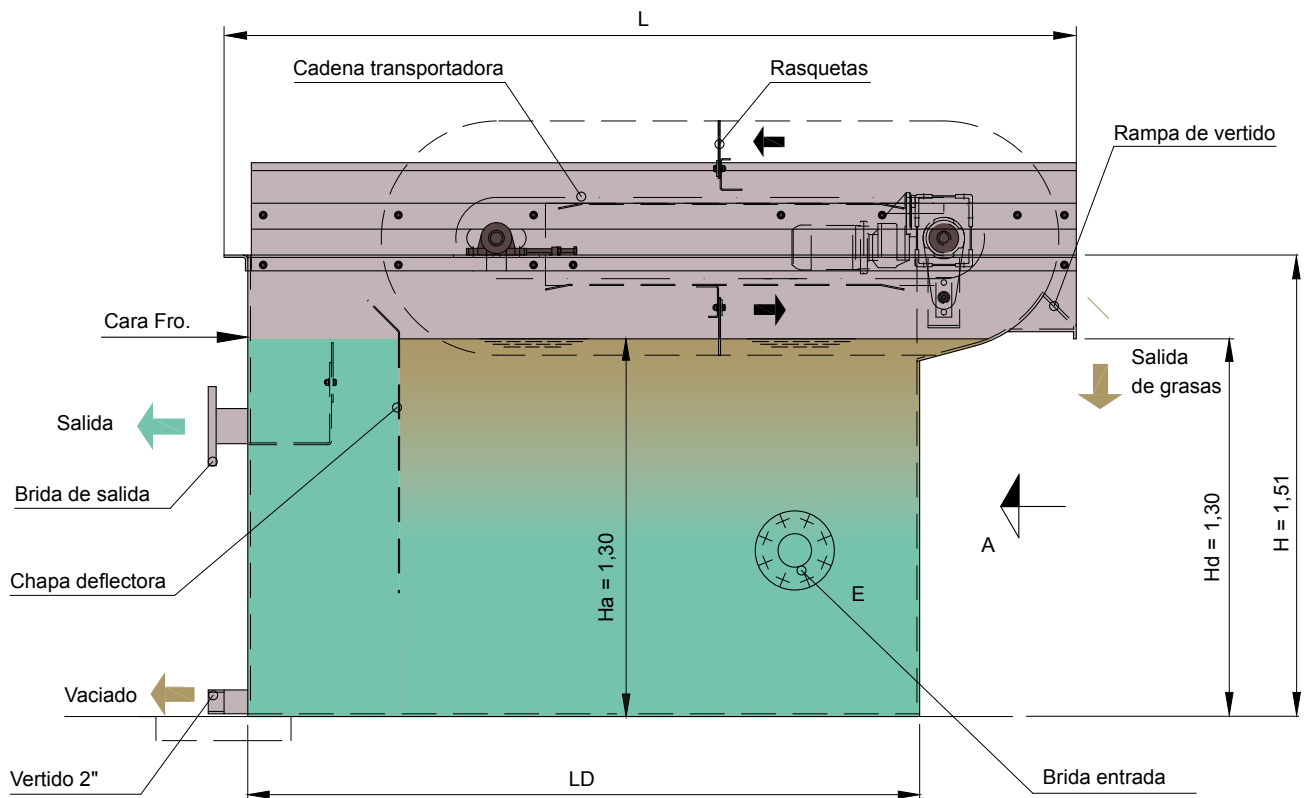
Unit designed to remove grease and floating substances from the surface of the water, which generally come from a degritting-degreasing process, an elutriation process, etc.

Single-block unit, based on a system of two conveyor belts that move scrapers that sweep the surface, thus pouring the grease. The sweeping device is installed on the upper part of the metal barrel.

Description and Features:

- **Tank.** Metal stainless steel plate barrel that serves to support all moving elements. With a deflector, a discharge ramp and inflow, outflow and emptying flanges.
- **Power unit.** Consisting of a geared motor unit and a drive axle that operates a set of gears, geared with two lateral conveyor belts where the surface sweeping scrapers are attached.
- **Surface scrapers.** Built in stainless steel plate. Flexible material adjustable profiles are mounted on them, resulting in a proper adaptation to the sides of the enclosure and the discharge ramp.





DIMENSIONES								
TIPO	072x179	082x179	102x204	132x204	132x242	162x242	172x293	212x293
Caudal máx. (m³/h)	12,00	15,00	20,00	25,00	30,00	40,00	50,00	60,00
Potencia (C.V.)	0,25	0,25	0,25	0,25	0,25	0,25	0,25	0,25
Brida entrada E	DN 80	DN 80	DN 80	DN 80	DN 80	DN 100	DN 100	DN 125
Brida salida S	DN 80	DN 80	DN 80	DN 100	DN 100	DN 100	DN 125	DN 150
Anchura exterior A	0,72	0,82	1,02	1,32	1,32	1,62	1,72	2,12
Anchura interior AD	0,60	0,70	0,90	1,20	1,20	1,50	1,60	2,00
Largo exterior L	1,79	1,79	2,04	2,04	2,42	2,42	2,93	2,93
Largo interior LD	1,33	1,33	1,58	1,58	1,96	1,96	2,47	2,47

Cotas en metros