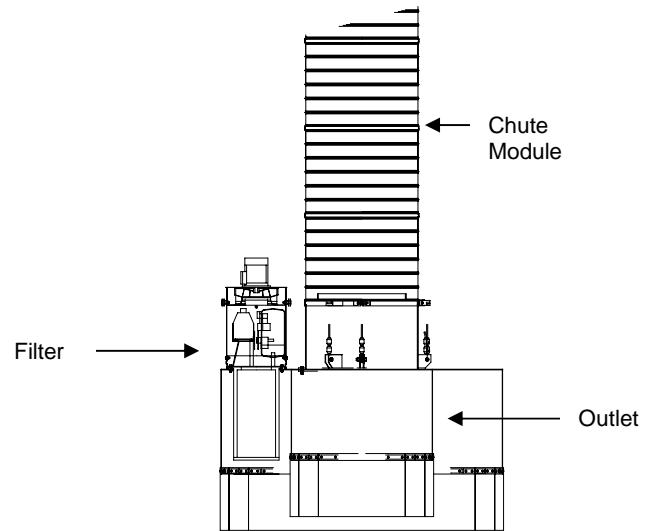
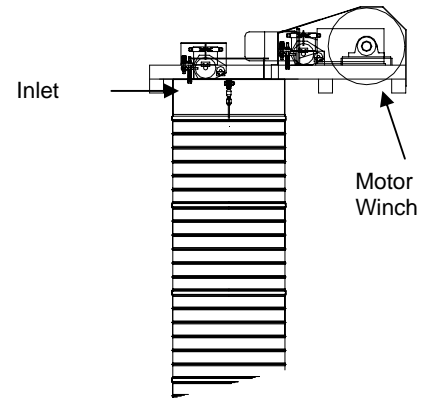


Data Sheet 300.56-1

Loading Chute V300FF



Technical Information – V300FF	
Inlet	Cylindrical Inlet tube in 2/4 mm steel. With DN300 connection with flange.
Chute Modules	Type Y - Standard: Yellow. PVC/Polyamide. Ø=600mm/H=625mm. Temperature -20°C - +70°C Type B - Heavy Duty: Black. Chloroprene rubber/Polyamide. Ø=600mm/H=625mm. Temperature -20°C - +130°C Connection ring in stainless steel Aisi 304, c/w 3 off wire guides in nylon and fittings for relief wires.
Guide Cones	Type J - Steel Standard. Steel, H=300mm, pt=2/4mm. Type L - Steel Overlapping. Steel, H=650mm, pt=2/4mm.
Outlet/Filter	Type F – Flat Outlet with dust skirt for open loading. 3 off filter units mounted on outlet. Filter housing in AISI 304 c/w fan and regulation system. Each filter unit with built-in compressor, air receiver, solenoid valves etc. 7 m2 filter cartridge in each filter unit, type: CGT 351, total of 21 m2.
Motor Winch	Motor 2.2-4.0 kW, 1400 rpm. Gear box ratio 160:1. Tight and slack wire indication on all 3 hoisting wires. External 3-point wire hoist system with high precision ball bearings and 3 off winch discs vertically fitted. 2 off relief wires. Hoist/relief wires Ø8mm available in steel or stainless steel Aisi316. Wire rollers in steel or stainless steel with high precision ball bearings.
General info.	Max. loading capacity approx. 250 m3/hour. Metal parts available in steel st. 37, stainless steel Aisi 304 or steel Hardox 400. Other steel qualities on demand. Surface treatment st. 37/Hardox 400: Iron phosphating, 1x40 my Primer, 1x40 my finishing coat RAL 9010 off white Surface treatment Aisi 304: Acid-washed without any further treatment Available with full approval and certificates for location in ATEX zone 22 (zone 20 inside the chute)

Accessories for loading chute V300FF please see separate Data Sheets.

Copyright © - The right to alterations is reserved

