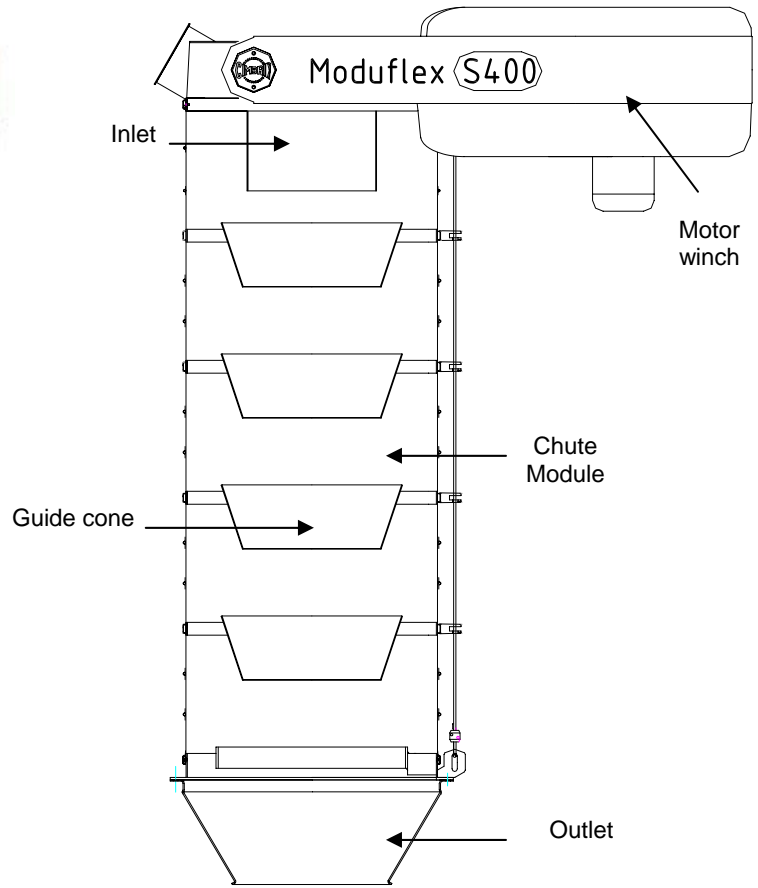


# Data Sheet 300.03-1

## Loading Chute S400



Technical Information – S400	
<b>Inlet</b>	Cylindrical Inlet tube in 2 mm steel. With DN400 PN10 connection c/w 16 off M24 nuts. Exhaust connection DN150, optionally with automatic closing function.
<b>Chute Modules</b>	Type Y - Standard: Yellow. PVC/Polyamide. Ø=700mm/H=300mm. Temperature -20°C - +70°C Type E - Extended: Yellow. PVC/Polyamide. Ø=700mm/H=600mm. Temperature -20°C - +70°C Type M - Food Grade: Light Grey. PVC/Polyester. Ø=700mm/H=300mm. Temperature -20°C - +70°C Type W - Special: Misc. PVC/Polyamide. Ø=700mm/H=300mm. Temperature -20°C - +70°C Type B - Heavy Duty: Black. Chloroprene rubber/Polyamide. Ø=700mm/H=300mm. Temperature -20°C - +130°C Type G - High Temperature: Grey. Teflon/Fiber glass. Ø=700mm/H=300mm. Temperature -35°C - +260°C Connection ring in stainless steel Aisi 304, c/w 3 off wire guides in nylon.
<b>Guide Cones</b>	Type O - Support ring. Steel, H=30mm Type J - Steel Standard. Steel, H=150mm, pt=2mm.
<b>Outlet</b>	Type T – Tank Outlet with steel cone for loading in tanker truck. Type F – Flat Outlet with dust skirt for loading in open truck. Type M – Multi Outlet with steel cone and dust skirt for loading in tanker truck and open truck.
<b>Motor Winch</b>	Motor 0.55-1.50 kW, 1400 rpm. Gear box ratio 100:1. Tight and slack wire indication External 3-point wire hoist system with high precision ball bearings and 3 off winch discs vertically fitted. Hoist wires Ø5mm available in steel, stainless steel Aisi316 or Long Life steel quality. Self-lubricating wire rollers in Ertalite TX, alternatively steel/stainless steel with bronze bearing
<b>General info.</b>	Max. loading capacity approx. 440 m3/hour. Recommended connecting value for aspiration 1200 m3/hour 50-150 mm WG. Metal parts available in painted steel st. 37 or stainless steel Aisi 304. Other steel qualities on demand. Surface treatment St. 37: Iron phosphating, 1x40 my Primer, 1x40 my finishing coat RAL 9010 off white Surface treatment Aisi 304: Acid-washed without any further treatment Motor winch covers in ABS - RAL 6005 dark green Available with full approval and certificates for location in ATEX zone 21 and 22 (zone 20 inside the chute)

Accessories for loading chute S400 please see separate Data Sheets.

Copyright © - The right to alterations is reserved