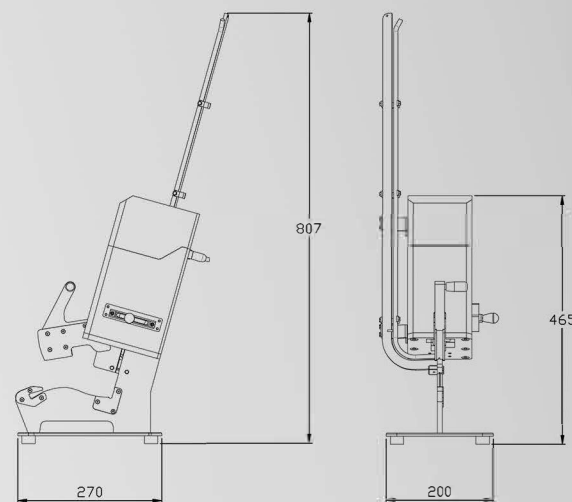




CP-AC12/16
SIMPLE PNEUMATIC CLIPPER



GENERAL FEATURES

NET WEIGHT//	13Kg	
DIMENSIONS//	200 x 270 x 807mm	
CLIPS MAGAZINE//	300	
BLADE//	M/M + A	
CLIP SIZE//	12/14/16	16/18/20
BARS//	4	5
	CP-AC12	CP-AC16

TECHNICAL FEATURES

- Pneumatic clippers of simple clip, acutated by manual frontal handle.
- Designed for medium productions and for closing casings of small, medium and big calibres, bags and nets.
 - Equipped with manual blade.
 - Option of pneumatic blade.
 - Precise closing by adjuster of lateral access.
- The manual front handle allows a precise clipping even of big casings.