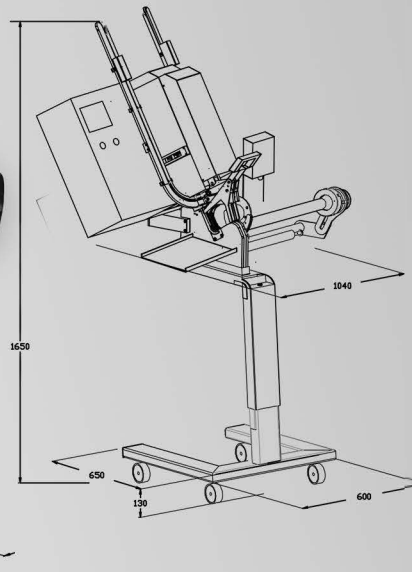


# CP-ACDN12/16

## DOUBLE CLIPPING MACHINE



## GENERAL FEATURES

NET WEIGHT//	83Kg	
DIMENSIONS//	1080 x 660 x 1700mm	
CLIPS MAGAZINE//	300+300	
BLADE//	Automatic	
CLIP SIZE//	12/14/16	16/18/20
BARS//	6 / 7	7 / 8
	<b>CP-ACDN12</b>	<b>CP-ACDN16</b>

## TECHNICAL FEATURES

- Made in stainless steel and materials allowed for the food industry.
  - Designed to be connected to a filler and to close casings in forms of strings, rings or individually with all type of natural or artificial casings.
    - Sleeve to connect to the filler.
    - Electric connection to the filler.
  - Telescopic support table with wheels.
    - Adjustable casing brake.
  - Electro pneumatic operation.
    - Collecting tray adjustable in inclination and height.
- Pneumatic filters of water and oil (Optional). • Automatic string dispenser (Optional). • Automatic loop feeder (Optional).