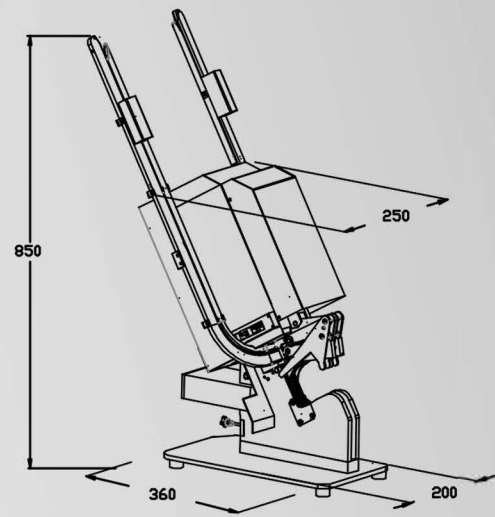




CP-DCD12/16
DOUBLE CLIPPING MACHINE



GENERAL FEATURES

NET WEIGHT//	32Kg	
DIMENSIONS//	250 x 360 x 850mm	
CLIPS MAGAZINE//	300+300	
BLADE//	Automatic	
CLIP SIZE//	12/14/16	16/18/20
BARS//	4 / 5	5 / 6
	CP-DCD12	CP-DCD16

TECHNICAL FEATURES

- Made in stainless steel and materials allowed for the food industry.
- Designed to close all type of natural and artificial casings in form of strings, rings or individually.
 - Lateral levers to actuate the machine.
 - Switch for automatic blade.
 - Optional pneumatic filters of water and oil.
 - Automatic string dispenser (Optional).